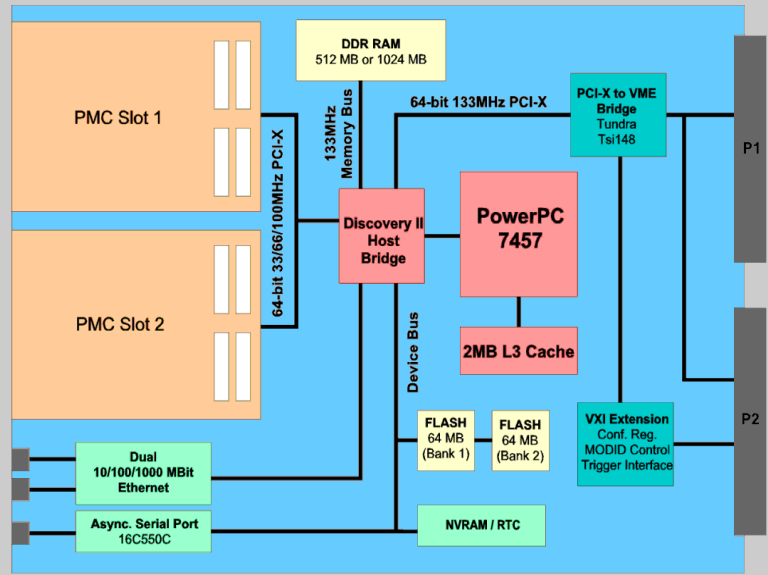


3044 EMBEDDED SLOT-0 CONTROLLER



- Single Slot C-Size VXIbus Slot-0 Controller
- 1.267 GHz PowerPC 7457 with 2MB L3 Cache
- 512 MB or 1 GB On-Board ECC SDRAM, 128 MB FLASH
- Two Gigabit Ethernet Interfaces
- Supports VXI-1 Rev 3.0 2eVME Transfers
- Two PMC Expansion Slots with Front-Panel I/O

POWER

General

The ProDAQ 3044 is the first embedded VXIbus Slot-0 Controller supporting the 2eVME bus transfer protocol introduced in the VXI-1 Rev. 3.0 standard. The 2eVME protocol allows for practical transfer rates between controllers and instruments of more than 100 MB/sec.

But the ProDAQ 3044 provides more than just faster VXIbus transfer rates; it provides balanced performance from the processor, memory, local buses, and I/O subsystems. The processor, running at speeds of 1.267 GHz, is ideal for data-intensive applications. The state-of-the-art host bridge, with support for a 133 MHz host bus and a 133 MHz DDR memory bus, is well matched to the processor. To ensure that the MVME6100 series can handle the VXIbus data rates of 2eVME, the Tsi148 interface chip is connected to one of the 133 MHz PCI-X buses on the host bridge. The second PCI-X bus has dual PMC-X sites - each site supports PMC or PMC-X cards supporting PCI bus speeds from 33 to 100 MHz. The ProDAQ 3044 also offers dual Gigabit Ethernet interfaces. All of this adds up to a set of well-balanced, high-performance subsystems

for unparalleled performance.

I/O Interfaces

The ProDAQ 3044 offers two Gigabit Ethernet interfaces and one serial port.

Slot-0 Capabilities

Automatic Slot-0/non-Slot-0 detection enables the ProDAQ 3044 to be used as a VXIbus Slot-0 Controller or a VXIbus Processor Module in non-Slot-0 applications.

Trigger Interface

The ProDAQ 3044 supports both the VXIbus TTL and ECL trigger lines. Trigger signals can be generated under software control. On detection of a trigger signal a local interrupt can be generated. The ProDAQ 3249 FP I/O option can be used to provide front-panel trigger and CLK10 I/O capability.

Software

Board Support Packages as well as a VISA library and resource manager according to the VXIplug&play standard are available for a number of operating systems. Please contact Bustec Production Ltd. for an up-to-date list.



Ordering Information:

- 3044-AD Embedded Slot-0 Controller with 1.267 GHz PowerPC 7457, 512 MB DRAM, 128 MB FLASH
- 3044-AE Embedded Slot-0 Controller with 1.267 GHz PowerPC 7457, 1024 MB DRAM, 128 MB FLASH

Related Products:



- 3249-AA FP I/O Option

This datasheet is copyright of Bustec Production Ltd. All trademarks and registrations are acknowledged. The technical information herein is subject to change without notice.

Bustec Production Ltd. World Aviation Park Shannon, Co. Clare Rep. of Ireland
 t +353 61 707 100
 f +353 61 707 106
 e sales@bustec.com
 w www.bustec.com

Bustec, Inc. E346, 34428 Yucaipa Blvd. Yucaipa, CA 92399 U.S.A.
 t +1 909 797 0484
 f +1 760 751 1284
 e sales@bustec.com
 w www.bustec.com



Processor Type Clock Freq. On-chip L1 Cache On-chip L2 Cache L3 Cache	PowerPC7457 with AltiVec™ 1.267 GHz 32kB Instruction / 32kB Data 512kB 2MB SRAM																
Main Memory Type Size	PC133 ECC protected SDRAM 512MByte or 1GByte on-board																
Flash Memory Type Size	on-board programmable two banks of 64MB on-board																
Ethernet Interfaces Type Controller Connector	Dual 10/100/1000 BASE-TX Controller integrated in system controller RJ-45 on front panel																
Async. Serial Port Controller Connector	16C550C RJ-45 on front panel																
Counters/Timers Device Timer/Counter Watchdog Timer	M4T28 Four 32-bit Reset on time-out																
IEEE P1386.1 PMC Slots Address/Data PCI Bus Clock Signaling Env. Power Module Types IO Routing	A32/D32/D64 33/66/100 MHz 3.3V, 5V tolerant +3.3V, +5V, ±12V, 7.5W max. per slot One double-wide or two single-wide Front-panel																
VXibus Interface DTB Master DTB Slave Arbiter Interrupt Handler/Generator Trigger Interface Slot-0/System Controller	A16/A24/A32; D08-D32, BLT, D64 MBLT, 2eVME A24/A32; D08-D32, BLT, D64 MBLT, 2eVME RR/PRI IRQ 1-7 TTL0-7, ECL0-1 Auto slot-0 detection																
Current Consumption (max)	<table border="1"> <thead> <tr> <th>Voltage (V)</th> <th>Current (mA)</th> </tr> </thead> <tbody> <tr><td>+24</td><td>80</td></tr> <tr><td>+12</td><td>15</td></tr> <tr><td>+5</td><td>8500</td></tr> <tr><td>-2</td><td>50</td></tr> <tr><td>-5.2</td><td>150</td></tr> <tr><td>-12</td><td>10</td></tr> <tr><td>-24</td><td>0</td></tr> </tbody> </table>	Voltage (V)	Current (mA)	+24	80	+12	15	+5	8500	-2	50	-5.2	150	-12	10	-24	0
Voltage (V)	Current (mA)																
+24	80																
+12	15																
+5	8500																
-2	50																
-5.2	150																
-12	10																
-24	0																
Dimensions	VXibus Single-Slot C-Size Module																
Weight	1150 gr.																
Operating Temperature	0° C to 50° C																
Storage Temperature	-40° C to 70° C																
Shock and Vibration Functional Shock Random Vibration	30g peak, half-sine, 11 ms puls <small>(Test performed in accordance to IEC 60068-2-27 and MIL-T-28800E Class 3.)</small> 5 to 500 Hz, 0.3g _{RMS} operational 5 to 500 Hz, 2.4g _{RMS} non-operational <small>(In accordance with IEC 60068-2-64 and MIL-T-28800E / MIL-STD-810E Meth. 514.)</small>																
Software Support	 <p>VxWorks Board Support Package and VXIplug&play compatible VISA library and resource manager.</p>  <p>VXIplug&play compatible VISA library and resource manager for Linux.</p> <p>Contact Bustec Production Ltd. for more information.</p>																
Warranty Period	12 month standard; extended periods available at additional cost.																