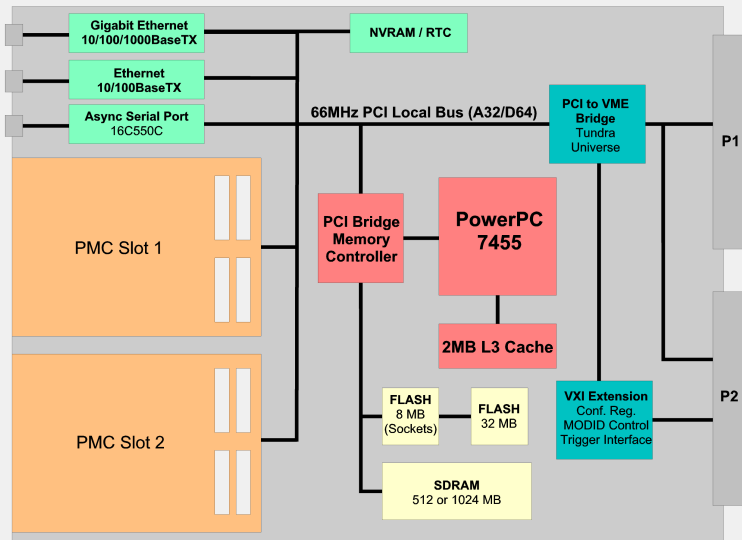


## 3043 EMBEDDED SLOT-0 CONTROLLER



- Single Slot C-Size VXIbus Slot-0 Controller
- 1 GHz PowerPC 7455 with 2MB L3 Cache
- 512 MB or 1 GB On-Board ECC SDRAM, 32+8 MB FLASH
- Gigabit Ethernet and 10/100Mbit Ethernet Interfaces
- Configurable Slot-0/non-Slot-0 Operation
- Two PMC Expansion Slots with Front-Panel I/O

## POWER

### General

The ProDAQ 3043 high-performance Slot-0 Controller provides a powerful, fully customizable platform for embedded applications. Using Motorola's latest MPC7455 PowerPC processor at speed of 1 GHz and beyond, it provides the computational power for algorithmic-intensive computations.

The ProDAQ 3043 provides more than just faster processor performance; it provides balanced performance from the processor, memory, local buses, and I/O subsystems. The powerful Marvell Discovery system controller, with support for a 133 MHz host bus and a 133 MHz SDRAM memory bus, is well matched to the high-speed processor.

### PMC Expansion Slots

To match the system I/O to the outstanding processor performance, the ProDAQ 3043 provides dual 64-bit, 33/66 MHz PCI buses. Each PCI bus has a PMC site supporting cards running at 33 or 66 MHz. The Universe II VME/VXI interface is isolated from the PMC sites on a dedicated 33 MHz PCI bus segment, so that both PMC sites are capable of 66 MHz operation.

### I/O Interfaces

The ProDAQ 3043 also offers a Gigabit Ethernet interface, a 10/100BaseTX Ethernet interface, and two serial ports. All of this adds up to a set of well-balanced, high-performance subsystems for unparalleled performance.

### Slot-0 Capabilities

Automatic Slot-0/non-Slot-0 detection enables the ProDAQ 3043 to be used as a VXIbus Slot-0 Controller or a VXIbus Processor Module in non-Slot-0 applications.

### Trigger Interface

The ProDAQ 3043 supports both the VXIbus TTL and ECL trigger lines. Trigger signals can be generated under software control. On detection of a trigger signal a local interrupt can be generated.

### Software

Board Support Packages as well as a VISA library and resource manager according to the VXIplug&play standard are available for a number of operating systems. Please contact Bustec Production Ltd. for an up-to-date list.



**Ordering Information:**


- 3043-AA Embedded Slot-0 Controller with 1 GHz PowerPC 7455, 512 MB DRAM, 32+8 MB FLASH
- 3043-AB Embedded Slot-0 Controller with 1 GHz PowerPC 7455, 1024 MB DRAM, 32+8 MB FLASH

This datasheet is copyright of Bustec Production Ltd. All trademarks and registrations are acknowledged. The technical information herein is subject to change without notice.

Bustec Production Ltd. World Aviation Park Shannon, Co. Clare Rep. of Ireland  
 t +353 61 707 100  
 f +353 61 707 106  
 e sales@bustec.ie  
 w www.bustec.ie

Bustec, Inc. 35486 Lorain Road North Ridgeville OH 44039, U.S.A.  
 t +1 440 327 8930  
 f +1 440 327 8982  
 e sales@bustec.com  
 w www.bustec.com



<b>Processor</b> Type Clock Freq. On-chip L1 Cache On-chip L2 Cache L3 Cache	PowerPC7455 with AltiVec™ 1 GHz 32kB Instruction / 32kB Data 256kB Instruction / 256kB Data 2MB SRAM																
<b>Main Memory</b> Type Size	PC133 ECC protected SDRAM 512 MByte on-board, expandable by 512MB mezzanine																
<b>Flash Memory</b> Type Size	on-board programmable, extension sockets 32 MB on-board, up to 8 MB in two TSOP sockets																
<b>Ethernet Interface 1</b> Type Controller Connector	10/100/1000 BASE-TX Intel 82544EI Gigabit Ethernet Controller RJ-45 on front panel																
<b>Ethernet Interface 2</b> Type Controller Connector	10/100 BASE-TX Controller integrated in system controller RJ-45 on front panel																
<b>Async. Serial Port</b> Controller Connector	16C550C RJ-45 on front panel																
<b>Counters/Timers</b> Device Timer/Counter Watchdog Timer	M48T37V with 32kB NVRAM (4kB available for user) Eight 32-bit Reset on time-out																
<b>IEEE P1386.1 PMC Slots</b> Address/Data PCI Bus Clock Signaling Env. Power Module Types IO Routing	A32/D32/D64 33/66 MHz 3.3V or 5V +3.3V, +5V, ±12V, 7.5W max. per slot One double-wide or two single-wide Front-panel																
<b>VXibus Interface</b> DTB Master DTB Slave Arbiter Interrupt Handler/Generator Trigger Interface Slot-0/System Controller	A16/A24/A32; D08-D32, BLT; D64 MBLT A24/A32; D08-D32, BLT RR/PRI IRQ 1-7 TTL0-7, ECL0-1 Auto slot-0 detection																
<b>Current Consumption</b>	<table border="1"> <thead> <tr> <th>Voltage (V)</th> <th>Current (mA)</th> </tr> </thead> <tbody> <tr> <td>+24</td> <td>80</td> </tr> <tr> <td>+12</td> <td>15</td> </tr> <tr> <td>+5</td> <td>7500</td> </tr> <tr> <td>-2</td> <td>50</td> </tr> <tr> <td>-5.2</td> <td>150</td> </tr> <tr> <td>-12</td> <td>10</td> </tr> <tr> <td>-24</td> <td>0</td> </tr> </tbody> </table>	Voltage (V)	Current (mA)	+24	80	+12	15	+5	7500	-2	50	-5.2	150	-12	10	-24	0
Voltage (V)	Current (mA)																
+24	80																
+12	15																
+5	7500																
-2	50																
-5.2	150																
-12	10																
-24	0																
<b>Dimensions</b>	VXibus Single-Slot C-Size Module																
<b>Weight</b>	1200 gr.																
<b>Operating Temperature</b>	0° C to 50° C																
<b>Storage Temperature</b>	-40° C to 70° C																
<b>Shock and Vibration</b> Functional Shock  Random Vibration	<p>30g peak, half-sine, 11 ms puls (Test performed in accordance to IEC 60068-2-27 and MIL-T-28800E Class 3.)</p> <p>5 to 500 Hz, 0.3g<sub>RMS</sub> operational 5 to 500 Hz, 2.4g<sub>RMS</sub> non-operational (In accordance with IEC 60068-2-64 and MIL-T-28800E / MIL-STD-810E Meth. 514.)</p>																
<b>Software Support</b>	 <p>VxWorks Board Support Package and VXIplug&amp;play compatible VISA library and resource manager.</p> <p>Contact Bustec Production Ltd. for more information.</p>																
<b>Warranty Period</b>	12 month standard; extended periods available at additional cost.																