

ProDAQ

User Manual

ProDAQ 3901

Voltage Reference Monitor Card

PUBLICATION NUMBER: 3901-XX-UM-0100

Copyright, © 2003, Bustec Production, Ltd.

Bustec Production, Ltd.

World Aviation Park, Shannon, Co. Clare, Ireland

Tel: +353 (0) 61 707100, FAX: +353 (0) 61 707106



PROPRIETARY NOTICE

This document and the technical data herein disclosed, are proprietary to Bustec Production Ltd., and shall not, without express written permission of Bustec Production Ltd, be used, in whole or in part to solicit quotations from a competitive source or used for manufacture by anyone other than Bustec Production Ltd. The information herein has been developed at private expense, and may only be used for operation and maintenance reference purposes or for purposes of engineering evaluation and incorporation into technical specifications and other documents, which specify procurement of products from Bustec Production Ltd.. This document is subject to change without further notification. Bustec Production Ltd. Reserve the right to change both the hardware and software described herein.

TABLE OF CONTENTS

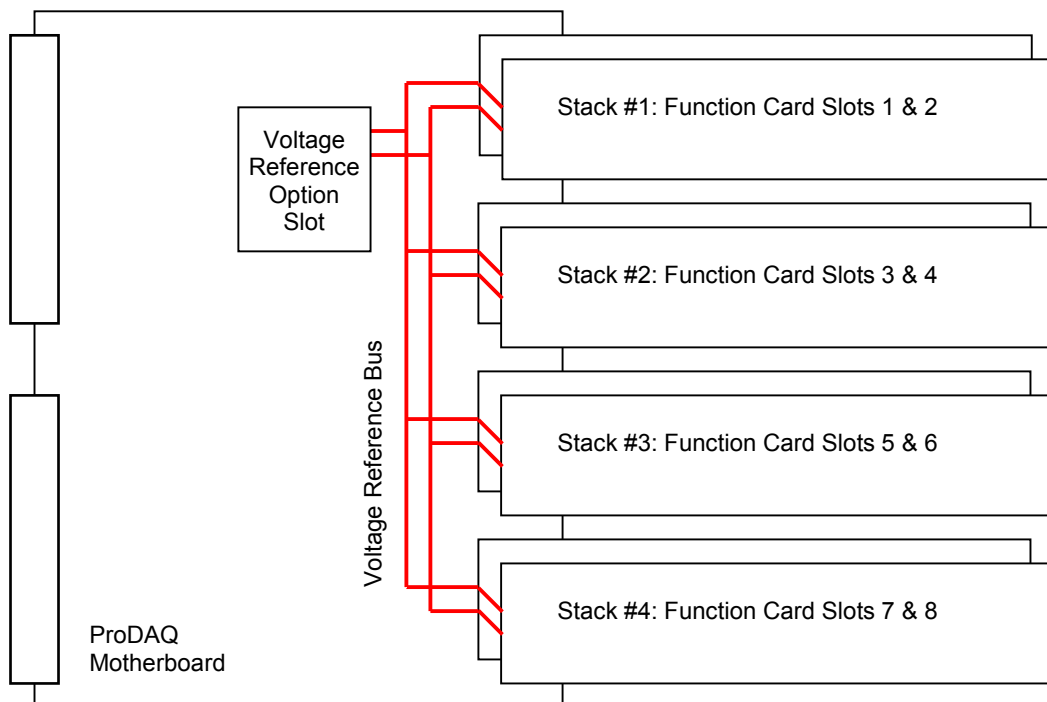
| | |
|---|----------|
| 1. OVERVIEW..... | 5 |
| 2. FRONT-PANEL CONNECTOR..... | 6 |
| 3. MONITORING THE 3201 VOLTAGE REFERENCE..... | 7 |
| 4. CONNECTING AN EXTERNAL VOLTAGE REFERENCE..... | 8 |

This page was left intentionally blank.

1. Overview

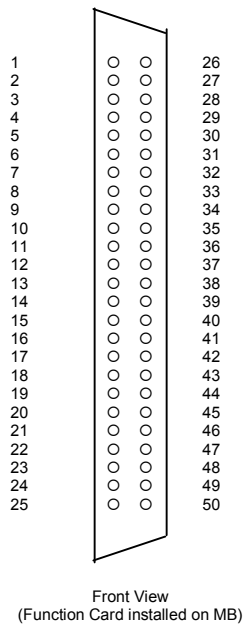
The ProDAQ 3901 Voltage Reference Monitor Card can be used to monitor the 3201 Voltage Reference Option for the ProDAQ motherboards or to connect an external voltage reference to the voltage reference bus on the ProDAQ motherboards.

The voltage reference bus on the ProDAQ motherboards connects the internal slot for the 3201 Voltage Reference Option with each of the function card slots. On the function cards the bus can be routed for example to the front-end input multiplexers to provide a end-to-end calibration possibility.



2. Front-panel Connector

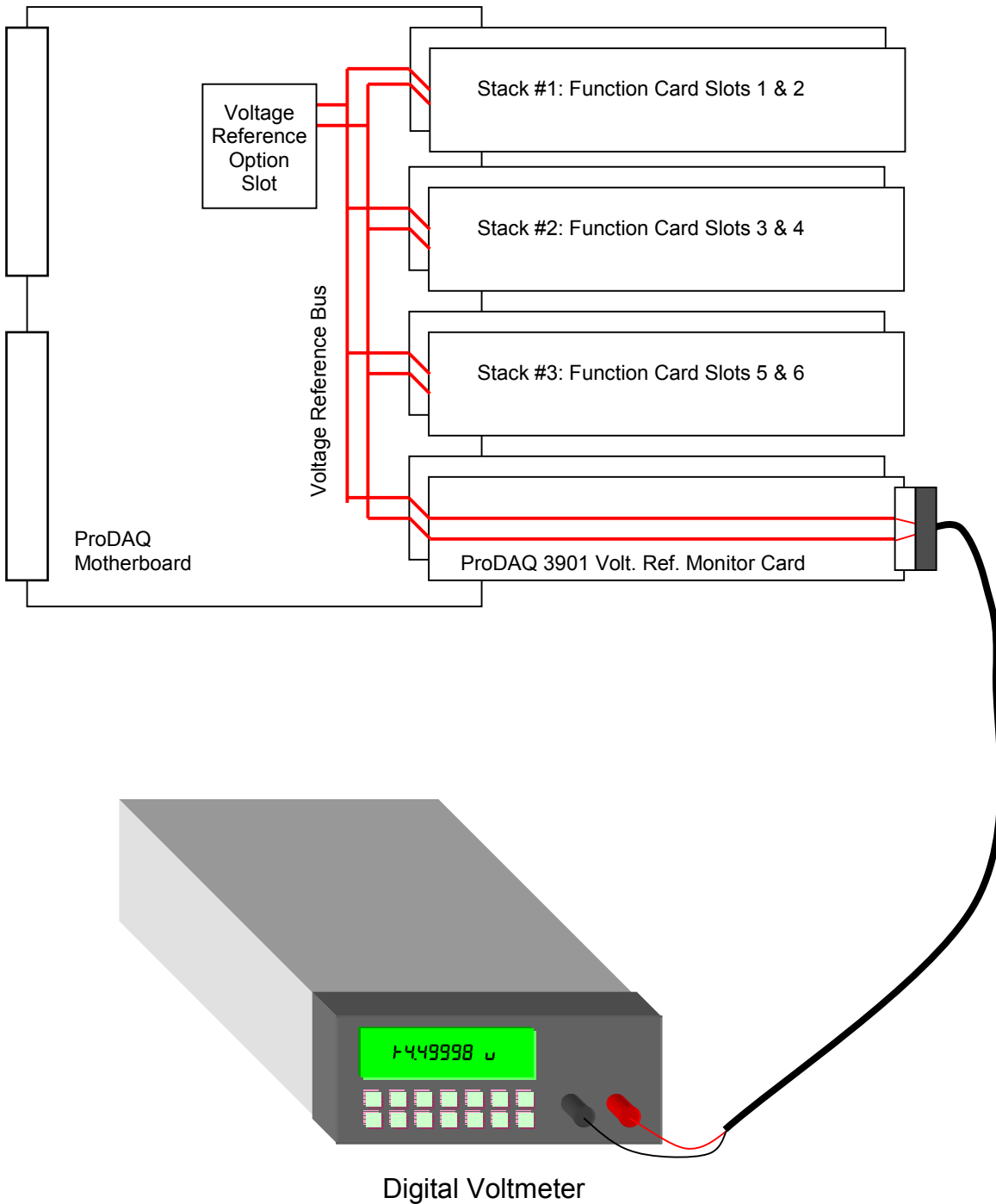
The front-panel connector is a standard SCSI 50-pin female connector with the following pin-out:



| Desc | Pin | Pin | Desc |
|------------|-----|-----|------------|
| GND | 1 | 26 | GND |
| GND | 2 | 27 | GND |
| GND | 3 | 28 | GND |
| GND | 4 | 29 | GND |
| GND | 5 | 30 | GND |
| GND | 6 | 31 | GND |
| GND | 7 | 32 | GND |
| GND | 8 | 33 | GND |
| GND | 9 | 34 | GND |
| GND | 10 | 35 | GND |
| GND | 11 | 36 | GND |
| GND | 12 | 37 | GND |
| GND | 13 | 38 | GND |
| GND | 14 | 39 | GND |
| GND | 15 | 40 | GND |
| GND | 16 | 41 | GND |
| GND | 17 | 42 | GND |
| GND | 18 | 43 | GND |
| GND | 19 | 44 | GND |
| GND | 20 | 45 | GND |
| GND | 21 | 46 | GND |
| GND | 22 | 47 | GND |
| GND | 23 | 48 | GND |
| GND | 24 | 49 | GND |
| $-V_{REF}$ | 25 | 50 | $+V_{REF}$ |

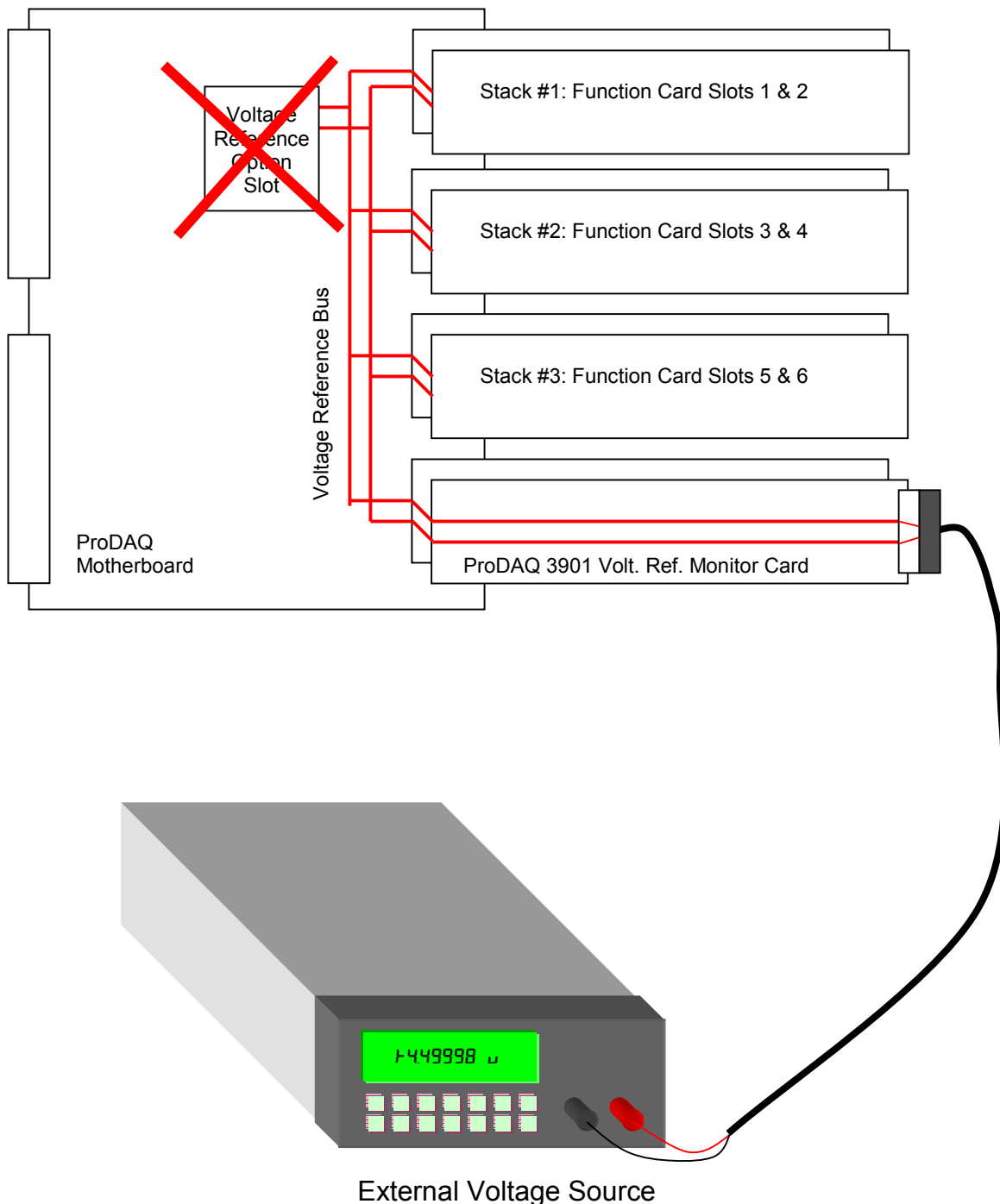
3. Monitoring the 3201 Voltage Reference

To monitor a ProDAQ 3201 Voltage Reference Option installed in a ProDAQ motherboard, simply connect the +Vref/-Vref pins of the front-panel connector of the ProDAQ 3901 Voltage Reference Monitor Card with the inputs of a Digital Multimeter (DMM):



4. Connecting an external Voltage Reference

To use an external voltage reference, make shure that no ProDAQ 3201 Voltage Reference Option is installed on the ProDAQ motherboard. Then connect the output of the external voltage reference with the +Vref/-Vref pins on the front-panel connector of the ProDAQ 3901 Voltage Reference Monitor Card. Use the settings for „Voltage Reference“ in the front-end configuration of any other ProDAQ function card (where available) to measure the external voltage.



Bustec Production, Ltd.
World Aviation Park, Shannon, Co. Clare, Ireland
Tel: +353 (0) 61 707100, FAX: +353 (0) 61 707106

Bustec, Inc.
17820 Englewood Dr #14, Middleburg Hts, OH 44130, U.S.A
Tel. +1 440 826 4156, Fax: +1 440 826 4184

