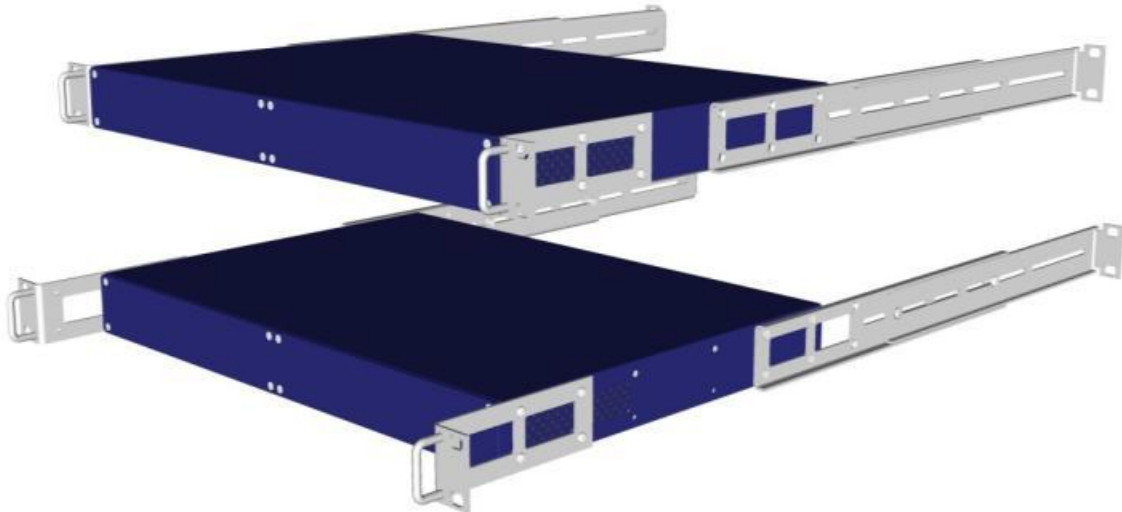


USER MANUAL

ProDAQ Accessories

ProDAQ 5725 19" 1U Rack-mount Kit



PUBLICATION NUMBER: 5725-XX-UM-1000



Copyright, © 2016, Bustec Production, Ltd.

Bustec Production, Ltd.
Bustec House, Shannon Business Park, Shannon, Co. Clare, Ireland
Tel: +353 (0) 61 707100, FAX: +353 (0) 61 707106

PROPRIETARY NOTICE

This document and the technical data herein disclosed, are proprietary to Bustec Production Ltd., and shall not, without express written permission of Bustec Production Ltd, be used, in whole or in part to solicit quotations from a competitive source or used for manufacture by anyone other than Bustec Production Ltd. The information herein has been developed at private expense, and may only be used for operation and maintenance reference purposes or for purposes of engineering evaluation and incorporation into technical specifications and other documents, which specify procurement of products from Bustec Production Ltd.. This document is subject to change without further notification. Bustec Production Ltd. Reserve the right to change both the hardware and software described herein.

Table of Contents

1. OVERVIEW.....5

1.1. The ProDAQ 5725 Rack-mount Kit 5

1.2. Installing the ProDAQ 5725 Rack-mount Kit..... 5

Table of Figures

Figure 1 - ProDAQ 5725 Rack-mount Kit Parts..... 5
Figure 2 - Assembling the front flanges 6
Figure 3 - Assembling the rear support rails 6
Figure 4 - Attaching the rear rack-mount flanges 7

1. OVERVIEW

The ProDAQ 5725 19" 1U Rack-mount Kit is a flexible mounting system for all ProDAQ 19" devices with 1U height. It includes fixed front rack-mount brackets and variable length rear support rails/brackets for a solid attachment of the ProDAQ devices to both the front and rear rack post. The kit allows to mount the devices into racks with mounting depths between 453 mm and 843 mm.

1.1. The ProDAQ 5725 Rack-mount Kit

The ProDAQ 5725 Rack-mount Kit contains the following parts:

1. Front rack-mount bracket (2 pieces)
2. Rear support rail (2 pieces)
3. Rear rack-mount bracket (2 pieces)
4. Front handle (2 pieces)
5. M3 x 6mm countersunk screw (TORX, T10, 20 pieces)
6. M4 x 12mm panhead screw (TORX, T20, 4 pieces)
7. M4 washer (4 pieces)
8. M4 nut (4 pieces)

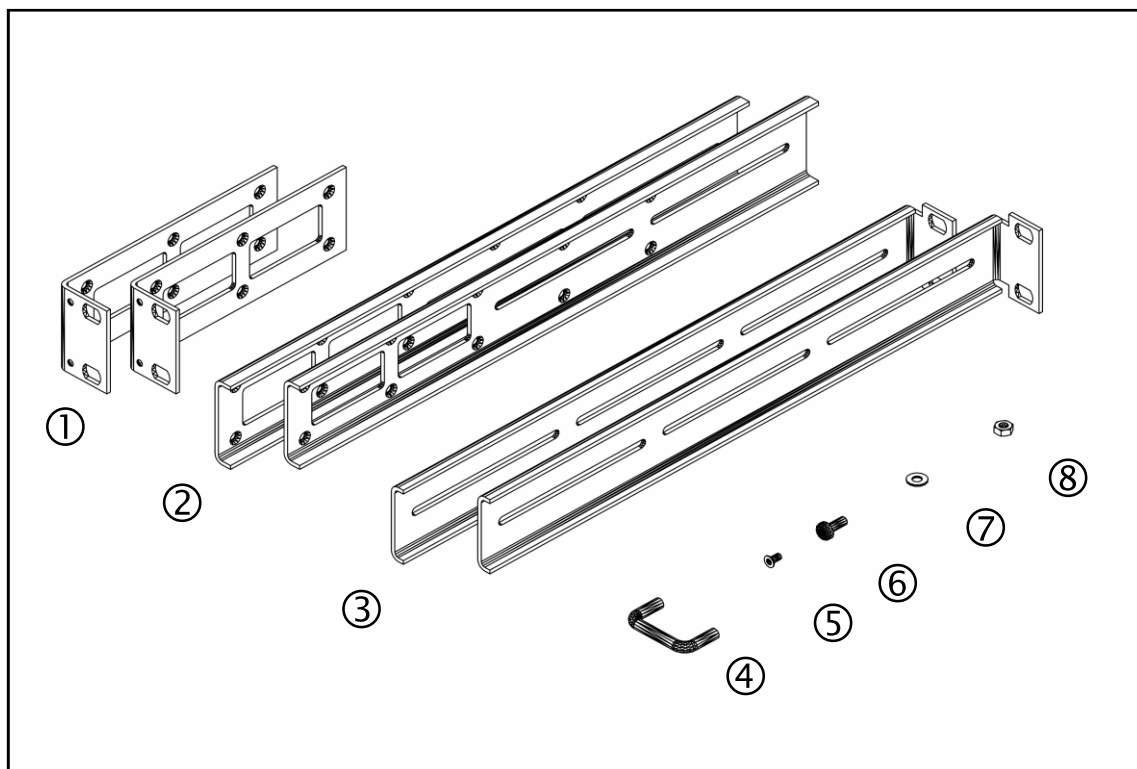


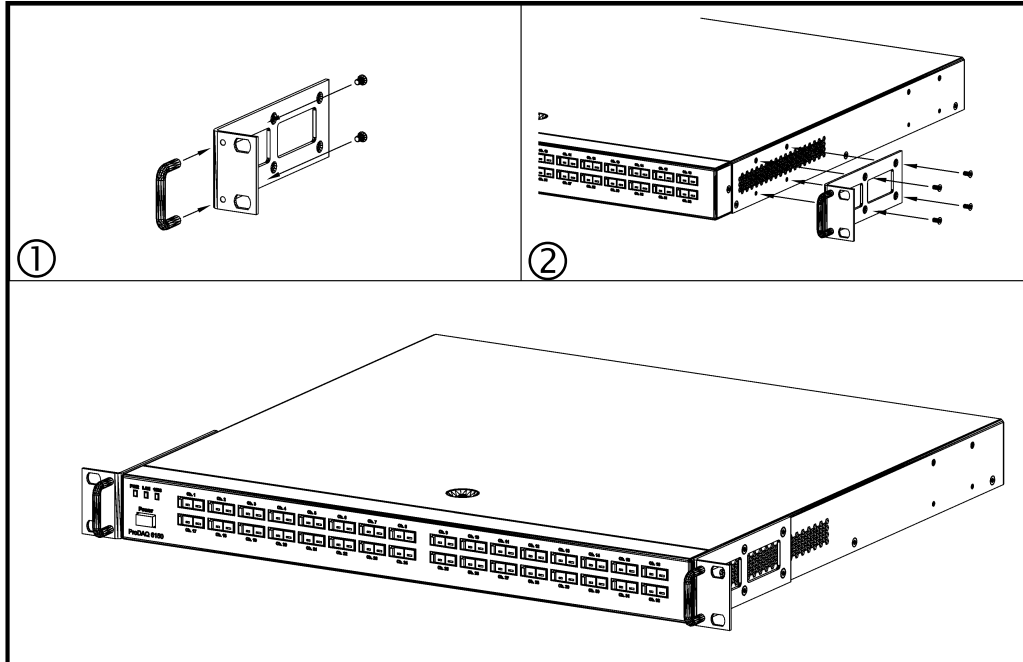
Figure 1 - ProDAQ 5725 Rack-mount Kit Parts

1.2. Installing the ProDAQ 5725 Rack-mount Kit

The following procedure describes how to attach the rack-mount kit using the ProDAQ 6150 as an example. Installing the kit to other ProDAQ devices is done in a similar way.

To install the rack-mount kit, first attach the handles to the rack-mount brackets using two M3 x 6mm countersunk screws each (see Figure 2, ①). Then attach one of the rack-mount brackets on each side of the ProDAQ device using four M3 x 6mm countersunk screws each (see Figure 2, ②).

Figure 2 - Assembling the front flanges



Next, attach one of the rear support rails to each side of the device using four M3 x 6mm countersunk screws each. The rear support rail can be mounted in four different positions to accommodate various rack depths (see Figure 3, front-most position ① and rear-most position ②).

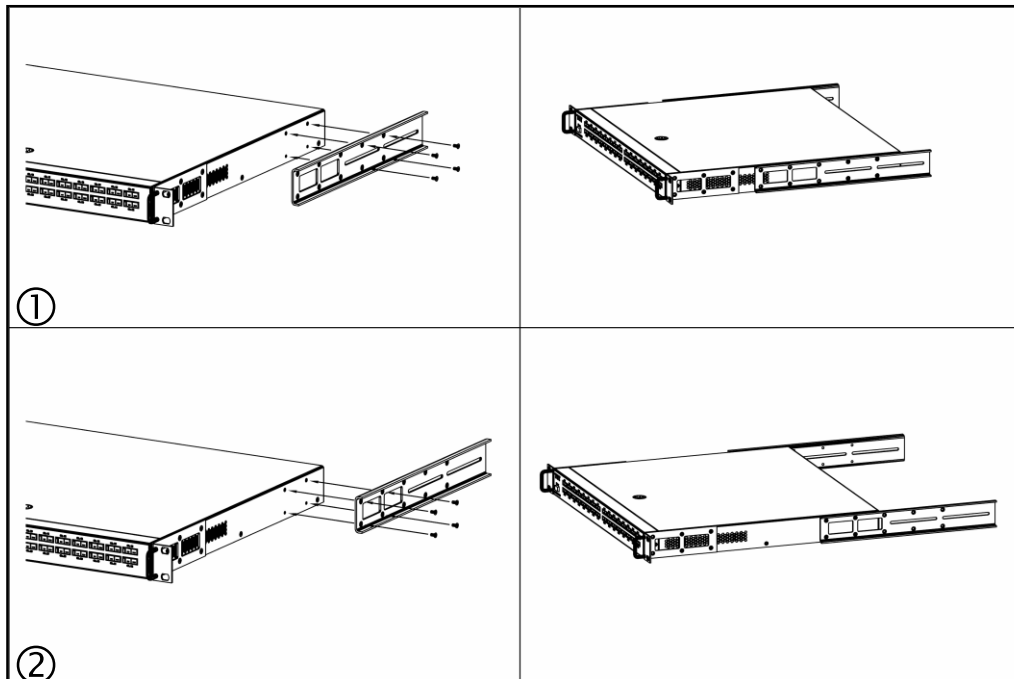


Figure 3 - Assembling the rear support rails

Install the rear rack-mount brackets in your rack at the desired positions using the proper fixing materials for your rack (fixing materials are not part of the ProDAQ 5725 Rack-mount Kit).

Install the ProDAQ device into the rack at the desired position. Then attach the rear support rail on each side to the already installed rear rack-mount bracket by using 2 pieces M4 x 12mm panhead screw, washer and nut on each side. If only one slotted hole is accessible, position the screws that they are as far apart as possible (see Figure 4, ① for minimum rack depth and ② for maximum rack depth).

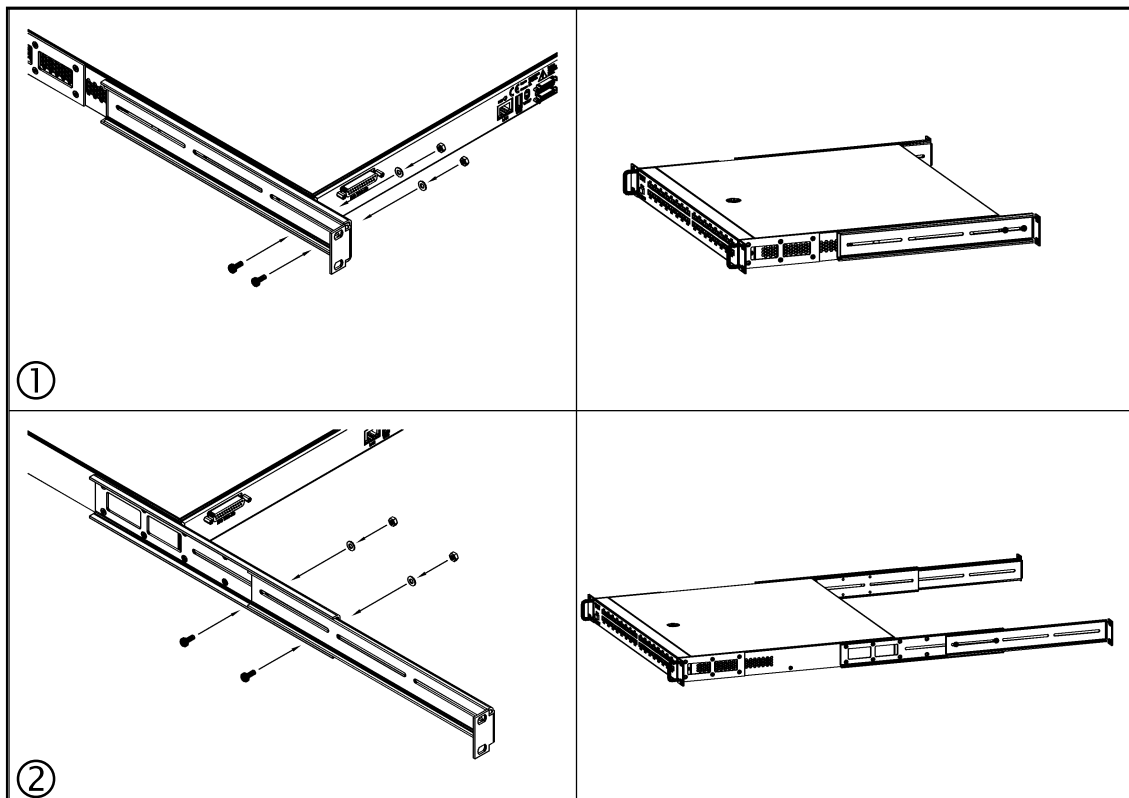


Figure 4 - Attaching the rear rack-mount flanges

WARNING

Do not use other screws than metric M3 for attaching the front rack-mount bracket or the rear support rail to the enclosure. Using any other screw style will damage the thread permanently.

WARNING

Do not use screws longer than 6mm to attach the front rack-mount bracket or the rear support rail to the enclosure. Using any other length might damage the unit and/or cause electrical shorts.

