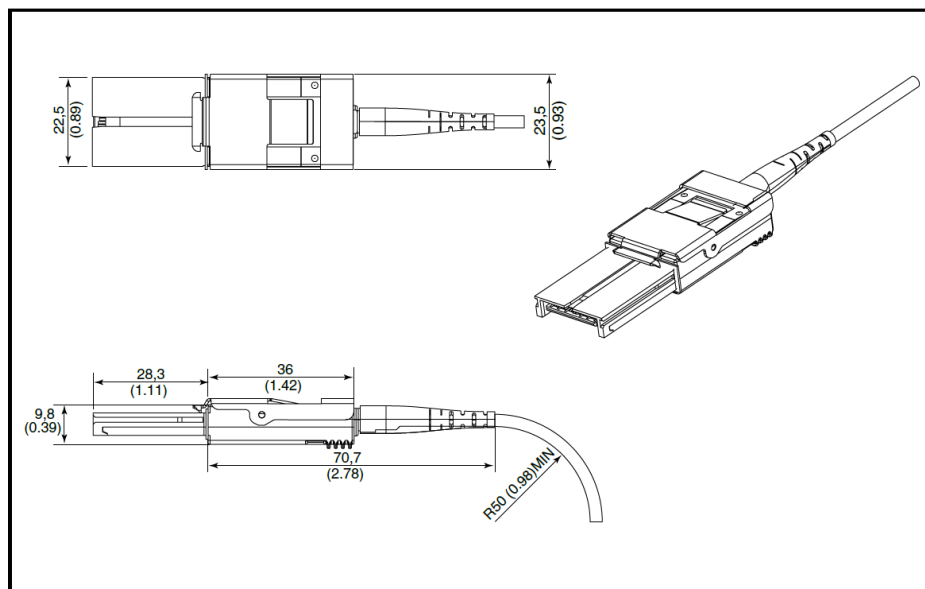


ProDAQ 8035 PCI Express x4 Active Optical Cable for ProDAQ 3261 / ProDAQ 3030

The ProDAQ 8035 PCI Express x 4 Active Optical Cable is a 4 lane full duplex external cable assembly that is a direct replacement for copper cable assemblies. Each lane is capable of transmitting PCI Express signals at Gen 1 (2.5 GT/s) or Gen 2 (5 GT/s) speed over a distance of up to 300m. The electrical to optical conversion circuitry is fully integrated into the connector housing at each end of the assembly, and the optical signal is transmitted over a small diameter optical fiber.

The fiber cable used is a nonconductive, plenum rated cable with a 3mm cable diameter and 30mm bend radius.



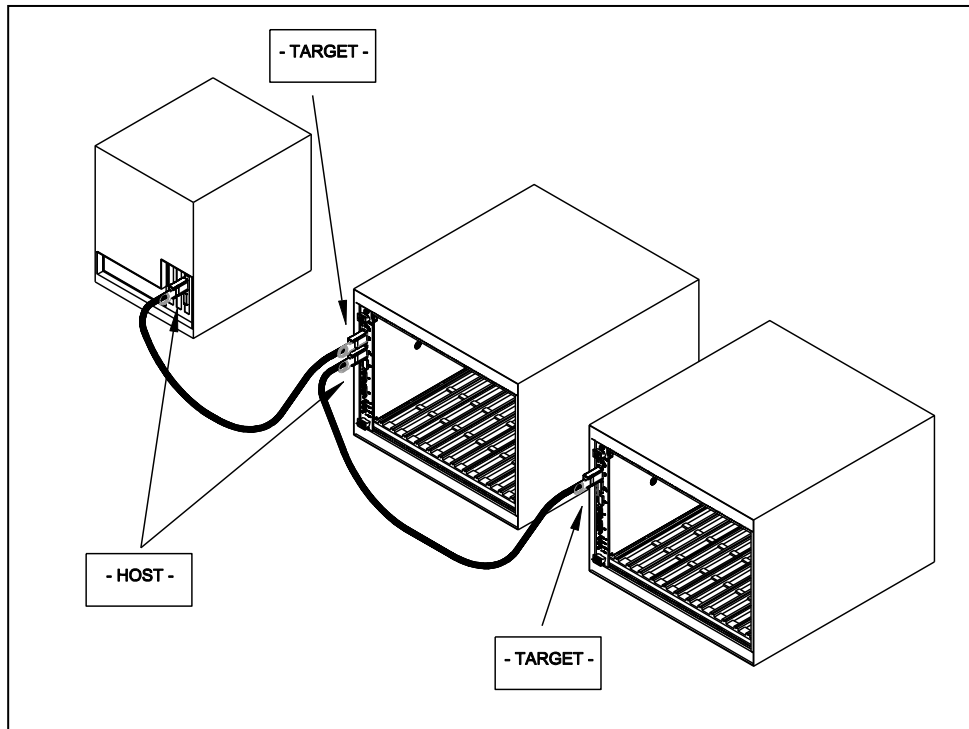
WARNING

When handling the optical cable, always obey the minimum bend radius. Bending it using a smaller radius will break the optical fibers and render the cable non-operational.

The cable connector attached at each end is a metalized housing that contains the electrical to optical components and mates to a standard PCI Express x4 cable connector.

IMPORTANT

Unlike traditional copper cable, the PCI Express x 4 Active Optical Cable is directional. The end labeled “- HOST -” must be connected to the ProDAQ 3261 Interface card or the ProDAQ 3030 downlink port in a daisy chain configuration. The end labeled “- TARGET -” must be connected to the uplink port of a ProDAQ 3030.



IMPORTANT

To unplug the connectors, use the pull to release the lock mechanism and slide the connector out of the socket. Avoid any strain on the fiber cable itself; it may damage the optical fibers.

