

# ProDAQ Accessories

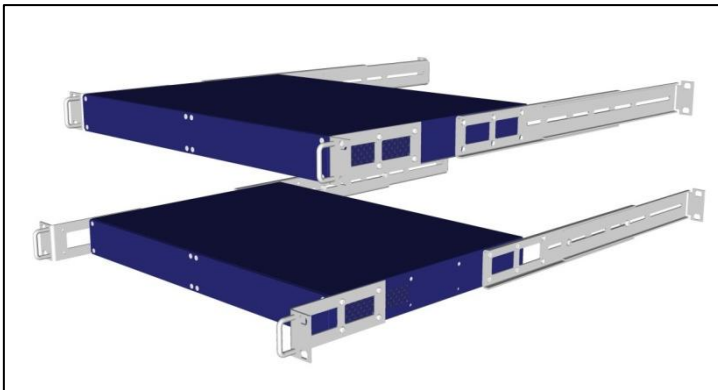
## ProDAQ 5725 19" 1U Rack-mount Kit

### OVERVIEW

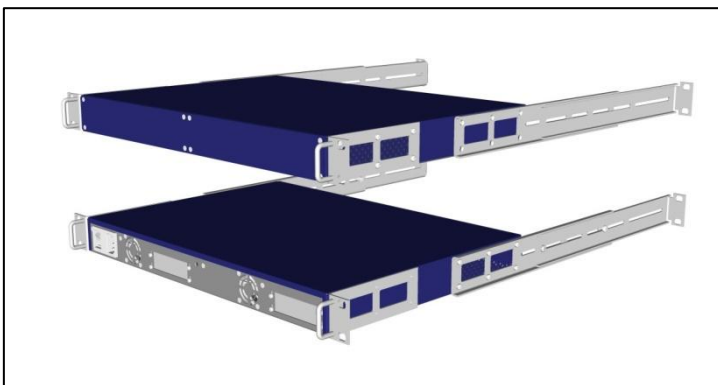
The ProDAQ 5725 19" 1U Rack-mount Kit is a flexible mounting system for all ProDAQ 19" devices with 1U height. It includes fixed front rack-mount brackets and variable length rear support rails/brackets for a solid attachment of the ProDAQ devices to both the front and rear rack post.

### FEATURES

**Flexible mounting:** Both the front rack-mount brackets as well as the rear support rails can be mounted on two different positions on the ProDAQ devices. This allows for example to provide for extra space needed by front-panel connectors or to extend the mounting depth.



**Optional reverse mounting:** All ProDAQ 19", 1U devices allow for mounting the brackets/rails both at the front and the rear. In this way the signal connectors can face both the front and the rear of the rack.



Front and rear mounting brackets can be installed in any four post rack with standard EIA-310 hole distances. Rack screws and nuts are not included.

### Features & Benefits

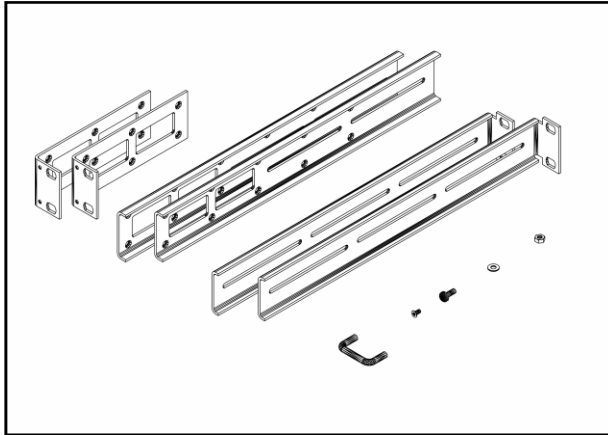
- ▶ Rack-mount Kit for all ProDAQ 19", 1U Devices
- ▶ Support for all standard EIA-310 19" racks
- ▶ Supports rack mounting depths from 453 mm to 843 mm
- ▶ Flexible front and rear mounting options
- ▶ Optional reverse mounting

## SPECIFICATIONS

### General

Type	Fixed rack-mount kit with flexible rear support
Height	1U (43.5 mm)
Rack mounting depth range	453 mm to 843 mm (maximum, varies per device)
Material	2 mm mild steel, clear zinc anodized

### Kit Contents



- 2 x Front rack-mount bracket
- 2 x Rear support rail
- 2 x Rear rack-mount bracket
- 2 x Front handle
- 20 x M3 x 6mm countersunk screws (TORX, T10)
- 4 x M4 x 12mm panhead screws (TORX, T20)
- 4 x M4 washer
- 4 x M4 nut

### Ordering Information

- ▶ **5725-AA** 19", 1U Rack-mount Kit

#### Related Products:

- ▶ **ProDAQ 5716** 16-Ch. Bridge Signal Conditioning Unit
- ▶ **ProDAQ 5720** Signal Conditioning Card Carrier
- ▶ **ProDAQ 6140** LXI Matrix Switching Unit
- ▶ **ProDAQ 6150** Isolated LXI Thermocouple Instrument