

# ProDAQ VXI Data Acquisition Systems

ProDAQ 3261 PCI Express Host  
Interface Card for ProDAQ 3030



## OVERVIEW

The ProDAQ 3261 is a standard height, half-length PCI Express add-in card. It interfaces a four lane PCI Express expansion slot to two four lane PCI Express External Cabling ports.

The ProDAQ 3261 implements an intelligent host adapter for the ProDAQ 3030 PCI Express VXIbus Slot-0 Interface, enabling it to be hot-plugged and power-cycled independently of the host computers hardware configuration and operating system. A local microcontroller, which acts as a root complex for the connected ProDAQ 3030 devices, handles the enumeration, hot-plug detection and re-enumeration. The PCI Express switch, which is used to connect the external 3030 devices to the local microcontroller is equipped with a non-transparent port, which is used to connect the interface card to the host computer. This non-transparent port presents the enumerated device tree of connected ProDAQ 3030 to the host computer via a memory window with address translation. The host detects the non-transparent port as an endpoint during configuration and does not explore further this leg of the device tree.

### Features & Benefits

- ▶ **Standard height, half-length** add-in card for PCI Express slots.
- ▶ Installs in a standard **x4, x8, x32 PCI Express slot**
- ▶ Enables ProDAQ 3030 to be **hot-plugged and power cycled** independently of the host computer
- ▶ **Dual** PCI Express cable ports

For more information,  
visit [www.bustec.com](http://www.bustec.com)

Learn more about the  
**ProDAQ 3261** on our website  
by scanning the code below.



## SPECIFICATIONS

HOST INTERFACE	
Type	PCI Express V2.0 x4, x2, x1
Min. Slot Width	PCI Express x4
Form Factor	Standard height, half-length add-in card
EXTERNAL INTERFACE	
Type	PCI Express External Cable Connector
Width	PCI Express x4
No. of Ports	2
ENVIRONMENTAL	
Temperature	5 °C to +50 °C (operational) -40 °C to +70 °C (storage only)
Humidity	10% - 90% (non-condensing)
PHYSICAL CHARACTERISTICS	
Size	167.65 mm x 111.15 mm
Width	1 slot
POWER REQUIREMENTS	
Current Consumption	TBD mA @ 3.3V TBD mA @ 12V
Power Consumption	Max. TBD W
SOFTWARE SUPPORT	
VISA library for Microsoft Windows or Linux (Contact Bustec Ltd. For detailed information)	
WARRANTY PERIOD	
12 months (extended periods available at additional cost)	

### Ordering Information

- ▶ **3261-AA** PCI Express Host Interface Card

#### Related Products:

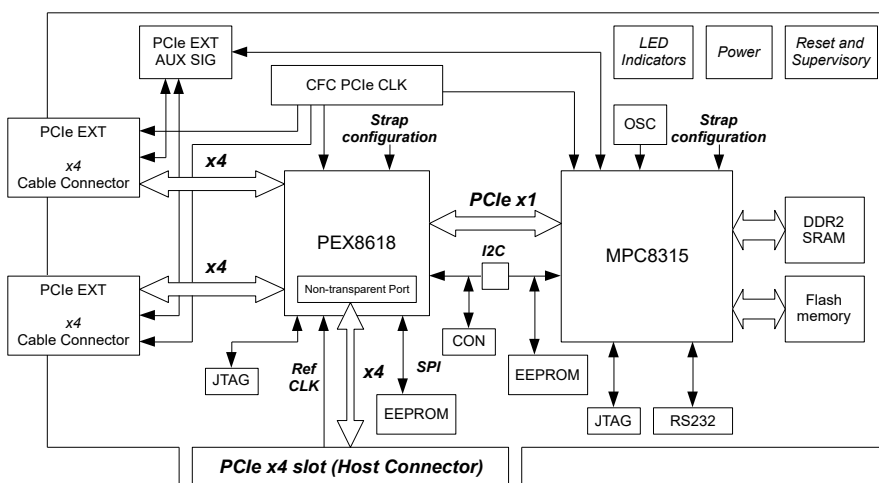
- ▶ **ProDAQ 3030** PCI Express VXIbus Interface
- ▶ **ProDAQ 8034** PCI Express x4 Copper Cable

### Contact Bustec

Bustec Production Ltd  
Bustec House  
Shannon Business Park  
Shannon, Co. Clare,  
Ireland

T +353 61 707 100  
E sales@bustec.com

For more information,  
visit [www.bustec.com/contact](http://www.bustec.com/contact)



ProDAQ 3261 Block Diagram